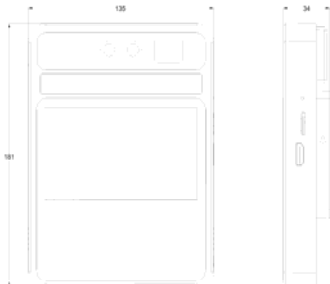


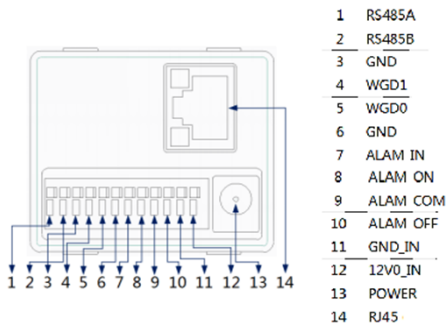
FEATURES:

- ◆ Integration of face capture, comparison function, infrared temperature measurement function
- ◆ Temperature anomaly alarm: non-contact body surface temperature detection within one second, detection distance 25-45cm, temperature error range $\pm 0.3^{\circ}C$, abnormal temperature linkage acousto-optic alarm and access control equipment
- ◆ Support living face detection, effective prevention of photos and video spoofing
- ◆ Face database can reach 10,000pcs, flexible face template import, support single, batch image file import and real-time capture import
- ◆ Provide query after login, set integrated parameters, view real-time monitoring and face comparison image
- ◆ Support face types of ordinary people, whitelist people, blacklist people, etc.
- ◆ Support recognize result linkage I/O, wigan port output, voice broadcast
- ◆ Can be widely used in access control channels, wall-mounting attendance and other scenarios.

DIMENSION:



WIRE INTERFACE:



SPECIFICATION:

Param	Model	HDV-5TFR
Screen		
Size		5 inch, full-angle IPS LCD screen
Resolution		1280x720
CAMERA		
Type		Design of double camera
Sensor		1/2.8" SONY starlight CMOS
Resolution		1080P@30fps
Lens		3.6mm*2
White balance		Auto
Face exposure		Support
Mirror		/
Image settings		Exposure, gain, contrast, saturation and brightness adjustable
ACCESSORIES		
Complementary light		IR light, LED white light
Identity module		Support ID card recognize module optional
Loudspeaker		Support voice broadcast after successful recognition
Network module		Built-in wifi Module
Video		
Video compression		H.265/H.264
Encoding features		main stream:: 1920x1080@30fps,sub-stream: D1@30fps
Max. Resolution		1920x1080
Video bit rate		Constant bit rate, variable bit rate (16kbps~8000kbps)
Video type		Complex stream/ Video stream
FUNCTION		
Network protocol		IPv4, TCP/IP, NTP, FTP, HTTP
Access protocol		ONVIF, RTSP
Safe mode		Authorized user name and password
Face recognition		Support
Event linkage		Capture TF card storage, FTP upload, alarm output linkage, wiegand output linkage, voice broadcast
Remote upgrade		Support
Others		/
FACE RECOGNITION		
Detection type		Support living face detection, effective prevention of print photos, phone photos and video spoofing
Face detection number		0.3-1.3m, support detection target size filter adjustment
Recognition face size		Pupils distance ≥ 60 pixels; Face pixel ≥ 150 pixels
Face database capacity		Support built-in ≤ 10000 faces; support black/white list
Posture		Support side face filter, comparable within 20 degrees in vertical and 30 degrees in horizontal
Shelter		Recognizable with ordinary glasses and short bangs hair
Expression		Recognizable with slight expression
Capture/comparison rate		Capture rate $\geq 98\%$ (meet the above conditions) ; Recognition rate $\geq 95\%$
Response speed		$\leq 1s$
Face / card recognition		Support 1:1 / 1:N mode
Local storage		Support storage of more than 100,000 capture and recognition records
Recognition area		Full image recognition, support zone optional setting
Upload mode		FTP , HTTP upload, SDK function calling upload
TEMPERATURE DETECTION		
Detect area		Forehead
Scope of detection		34°C~42°C
Error range		$\pm 0.3^{\circ}C$
Voice broadcast		Support face recognition broadcast and temperature detection alarm
Detection distance		25-45cm
INTERFACE		
Network interface		RJ45 10M/100M network adaptative
Alarm input		1CH
Alarm output		1CH
RS485		Support
TF card		Max.support 128G local-storage
USB		1CH
Wiegand interface		Support wiegand 26,34,66 protocol
Reset		Support
Tamper switch		Support
GENERAL		
Operating temperature		-10°C ~ 50°C
Operating humidity		0% -90%
Power supply		DC12V
Power consumption (max)		$\leq 12W$
Dimensions(mm)		135mm(W)*181mm(H)*34mm(T)
Instal type		X86 box embedded installation/desktop installation/floor mount installation

All Info. only for reference please see the subject produce. Any change will not be notified.

>> Pulsa aquí para más información sobre detección facial y térmica